

## Machine Data-Sheet

MEBASwing 230 G

MEBASwing 230 DG



The smart choice for all-purpose bandsawing



## MEBASwing 230 G



## MEBASwing 230 DG

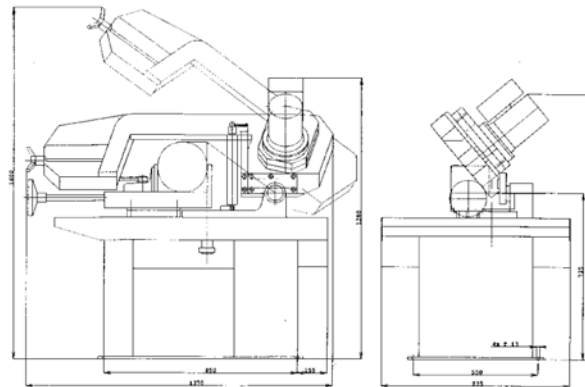


### Standard equipment

- Fast adjustment of mitre, stepless from 30° -135°. With indication to accuracy on scale. The swivel is directly above the intersection of the saw blade and the fixed vice jaw so that there is a datum measuring point which does no change with the mitre angle.
- Positive stops at 30° + 45° left hand
- Fast material clamping. Material is always clamped at 90° (parallel) regardless of angle to be cut.
- Stepless cutting pressure regulation through weight of the heavy and rigid saw frame and the fine tuning depending on cross-section by hydraulic damping cylinder
- Complete Coolant system with immersed pump
- Material end stop with scale up to 500 mm
- Chip box inside
- Saw blade drive with end of cut stop
- Precise saw blade carbide-roller guidance
- Colour blue/beige (RAL 5012/1015)
- 1 bandsaw blade 4/6 tpi
- Instruction manual and spare parts list on CD-ROM

### Standard equipment

- Fast adjustment of mitre, stepless from 30° -150°. With indication to accuracy on scale. The swivel is directly above the intersection of the saw blade and the fixed vice jaw so that there is a datum measuring point which does no change with the mitre angle.
- Positive stops at 30° + 45° left an right hand
- Fast material clamping. Material is always clamped at 90° (parallel) regardless of angle to be cut.
- Stepless cutting pressure regulation through weight of the heavy and rigid saw frame and the fine tuning depending on cross-section by hydraulic damping cylinder
- Complete Coolant system with immersed pump
- Material end stop with scale up to 500 mm
- Chip box inside
- Saw blade drive with end of cut stop
- Precise saw blade carbide-roller guidance
- Colour blue/beige (RAL 5012/1015)
- 1 bandsaw blade 4/6 tpi
- Instruction manual and spare parts list on CD-ROM



Further MEBA products like saw blade, coolants, lubricants, material stock rollers and measuring devices are also available

Technical Data						
Type	Model	30° left	45° left	90°	45° right	30° right
230 G	manual	-	-	Ø 230 300x150	Ø 200 200x200	Ø 90 120x80
230 DG	manual	-	Ø 170 200x70	Ø 230 300x150	Ø 200 200x200	Ø 90 120x80

Type	Motor [kW]	Saw blade [mm]	Speed	Dimensions [mm] (LxBxH)	Working height [mm]	Weight [kg]
230 G	1,00/1,5	2720x27x0,9	28/56 m/min	840x1420x1220	900	230
230 DG	1,00/1,5	2720x27x0,9	28/56 m/min	840x1420x1220	750	250